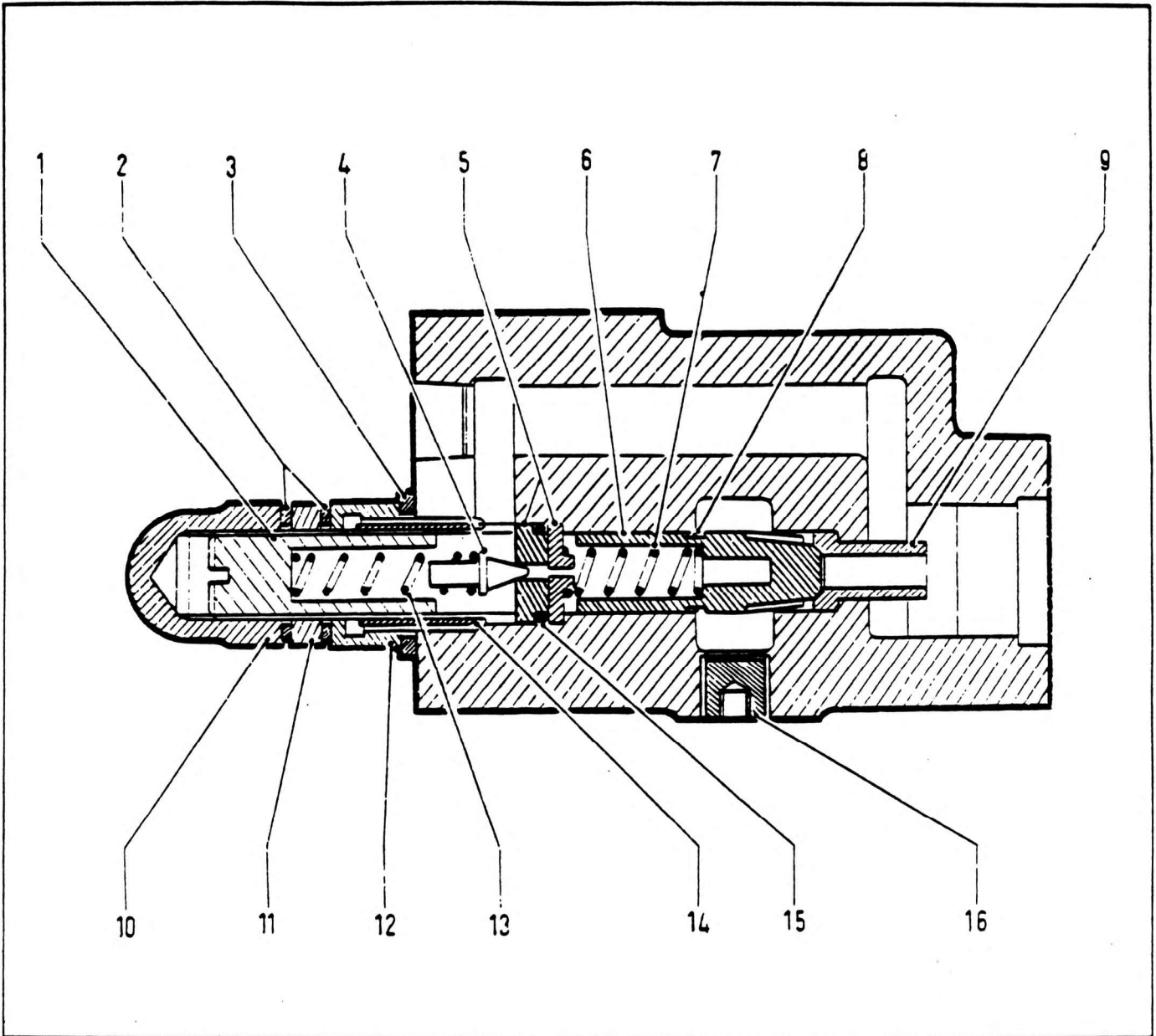


RELIEF VALVE



| NO. | PART NO. | QTY. | DESCRIPTION | NO. | PART NO. | QTY. | DESCRIPTION |
|-----|----------|------|-----------------------------|-----|----------|------|-------------|
| 1 | 726515 | 1 | Screw Adjusting | | | | |
| - | 722423 | 1 | Locknut | | | | |
| 2 | 722418 | 2 | Ring Seal | | | | |
| 3 | 722416 | 1 | Ring Seal | | | | |
| 4 | 706867 | 1 | Poppet Relief Valve | | | | |
| 5 | 8775399 | 1 | Seal Relief Valve Poppet | | | | |
| 6 | 8776448 | 1 | Plunger Relief Valve | | | | |
| 7 | 706855 | 1 | Spring Plunger | | | | |
| 8 | 706861 | 1 | Wire Orifice | | | | |
| 9 | 8776447 | 1 | Plunger Seat | | | | |
| 10 | 722426 | 1 | Nut Acorn | | | | |
| 12 | 8767079 | 1 | Cap Relief Valve | | | | |
| 13 | 720498 | 1 | Spring Poppet | | | | |
| 15 | 706851 | 1 | Ring Seal | | | | |
| 16 | 8767080 | 1 | Plug Pipe | | | | |
| - | 706858 | 1 | Seal | | | | |

8943270
Issue No. 00